

# Flat Wire Wound Common Mode Inductor

## Flat wire CA SERIES

## PRODUCT CATALOG



寶仁弘電子有限公司 Prosperity Electronic Co., Limited

EML: brh@baorenhong.com Web:www.baorenhong.com

TEL: 0755-29687188 FAX: 0755-29688152

深圳市寶安區福永鎮立新二路天佑創客產業園

TEL: 0512-36878535 FAX: 0512-36878435

江蘇省昆山市花橋鎮綠地大道1325號

# Flat Wire Wound Common Mode Inductor

## ◎ Product introduction 產品介紹

- High current, small size.  
大电流，小尺寸。
- With a low temperature coefficient and a nice heat dissipation.  
温度系数低，散热效果好。
- Totally automatic winding, with a tidy drop-out line and a good product conformity.  
全自动化绕制，排线整齐，产品一致性好。
- Unit current density can reach 1.5-2.0 times of that of round copper wire. Under the condition of same unit current density, the size will be 0.5-1.0 times smaller.  
单位电流密度可达到圆铜线的1.5-2.0倍。同等情况下体积会小0.5-1.0倍。



## ◎ Product application 產品應用

- Widely used for various consumer electronics in daily life, such as mobile, notebook, display device, camera, etc  
广泛应用于日常生活中的各种消费类电子产品，如手机，笔记本电脑，显示器，摄像机等。

## ◎ Product Identification 產品標識

CA1515L-103P2015-1008

CA-----Series name 系列名稱

1515-----Dimension 產品尺寸

L-----Appearance: vertical type or horizontal type. 產品形狀 立式或臥式

103P-----Inductance 電感值 10mH

2015-----Copper wire dimensions 銅線尺寸0.2mm\*1.5mm

1008-----Lead pitch and Array pitch 腳距和排距10mm\*8mm

# Flat Wire Wound Common Mode Inductor

## ◎ Product introduction 產品介紹

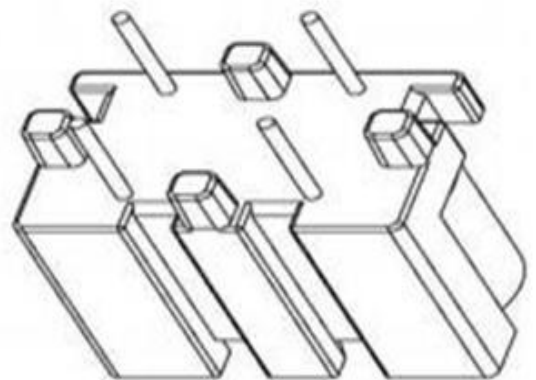
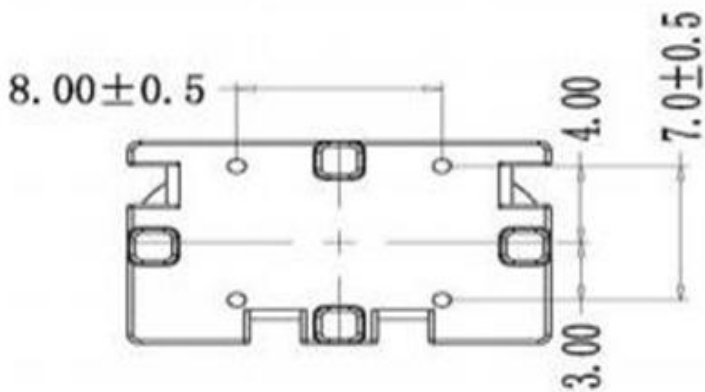
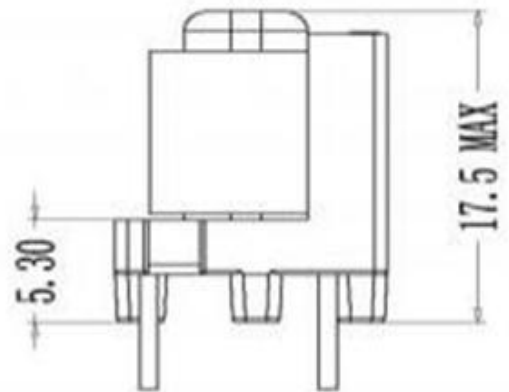
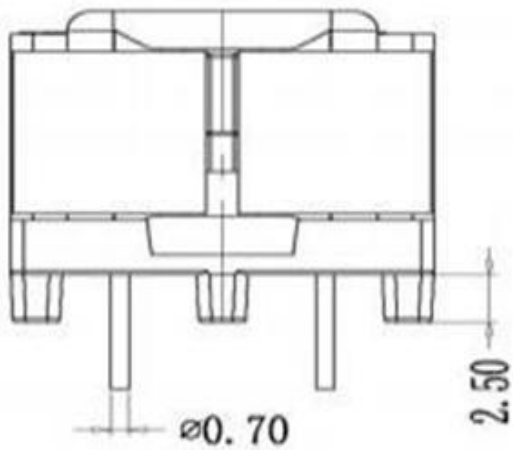
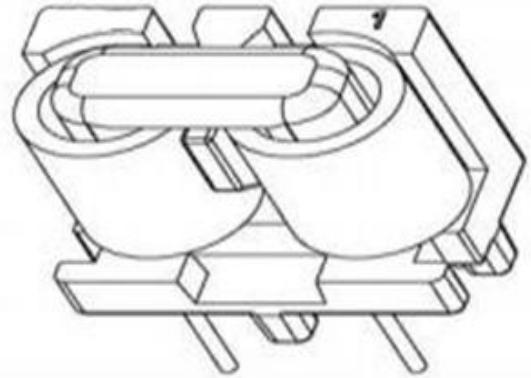
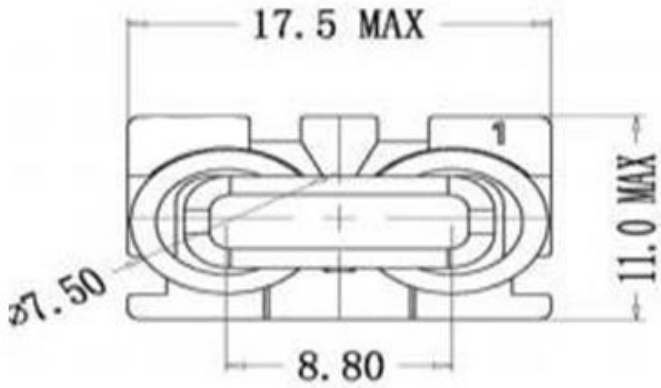
ORDERING CORE	Inductance mH MIN	The flat copper wire size	Winding turns	DC Resistance mΩ MAX	Corresponding diameter of the round copper wire	Rated Current (A) MAX	Power range
CA1212-8mH	8	0.15*1.0	38Ts Ref	180	0.43	1.8-2.2	Within 60W
CA1212-10mH	10	0.13*1.0	47Ts Ref	200	0.4011	1.5-2.0	Within 60W
CA1212-8mH	15	0.1*1.0	52Ts Ref	220	0.3529	1.0-1.5	Within 60W
CA1515-10mH	10	0.2*1.5	37Ts Ref	110	0.609	2.5-3.0	150W
CA1515-15mH	15	0.5*1.0	40Ts Ref	110	0.4936	2.0-2.5	60W-120W
CA1515-15mH	15	0.5*1.5	50Ts Ref	150	0.529	2.0-2.8	60W-120W
CA1515-15mH	15	0.15*1.0	50Ts Ref	200	0.43	1.8-2.2	60W-120W
CA1515-20mH	20	0.13*1.0	56Ts Ref	260	0.4011	1.5-2.0	60W-120W
CA1918-5mH	5	0.3*1.5	35Ts Ref	50	0.7405	4.0-5.0	150W-300W
CA1918-6mH	6	0.25*1.5	41Ts Ref	100	0.678	3.5-4.5	150W-300W
CA1918-8mH	8	0.25*1.0	44Ts Ref	105	0.5488	2.3-2.5	120-200W
CA1918-10mH	10	0.2*1.5	50Ts Ref	100	0.609	2.5-3.0	120-200W
CA1918-10mH	10	0.2*1.0	50Ts Ref	145	0.4936	2.0-2.5	120-200W
CA1918-20mH	20	0.15*1.0	63Ts Ref	240	0.4299	1.8-2.2	120-200W
CA2418-2mH	2	0.6*2.0	24Ts Ref	50	1.2	10-12	600W-1000W
CA2418-5mH	5	0.4*1.5	38Ts Ref	60	0.8486	6-7.5	300W-500W
CA2418-10mH	10	0.3*1.5	48Ts Ref	75	0.75	4.5-5.5	300W-500W
CA2820-6mH	6	0.4*1.5	45Ts Ref	80	0.8486	8	500W-1000W

- Customize product parameters as per demands of customers.

# SMD Common Mode Chocke

◎Shape&Dimensions 形狀與尺寸:

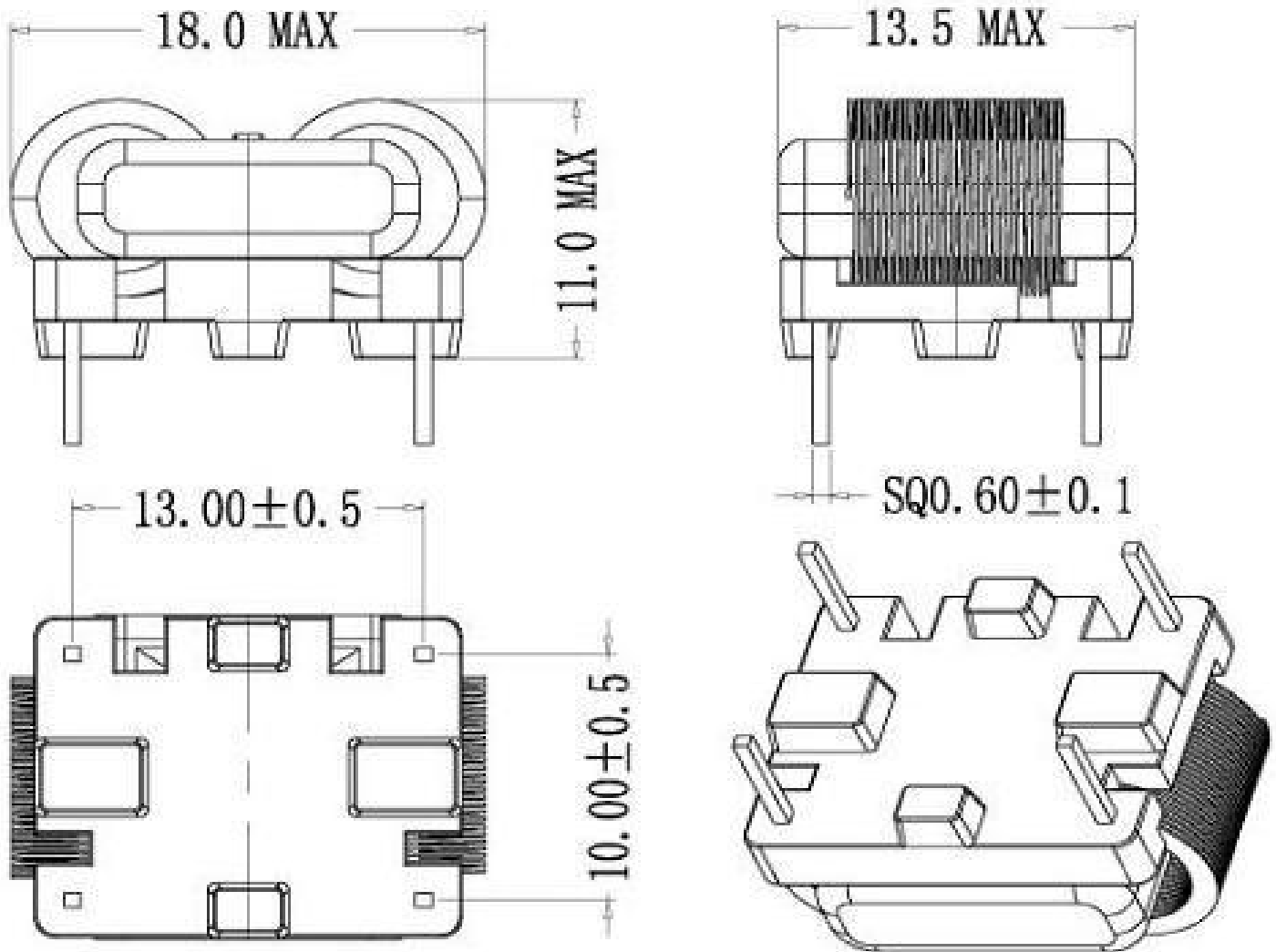
Vertical type of CA1212 Series



# SMD Common Mode Chocke

©Shape&Dimensions 形狀與尺寸:

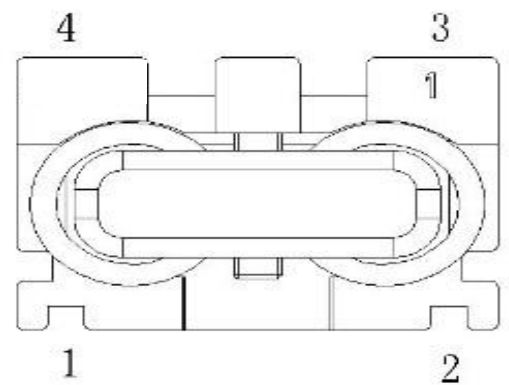
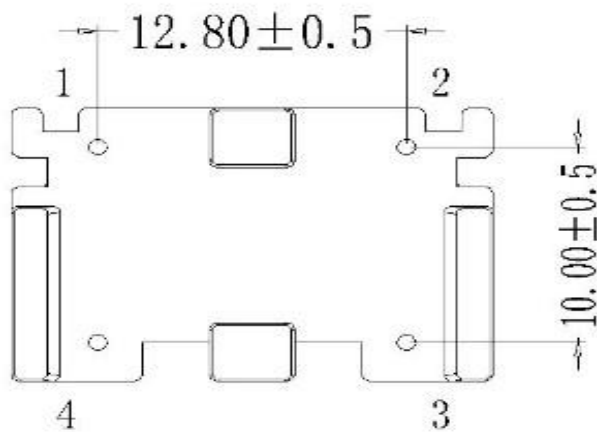
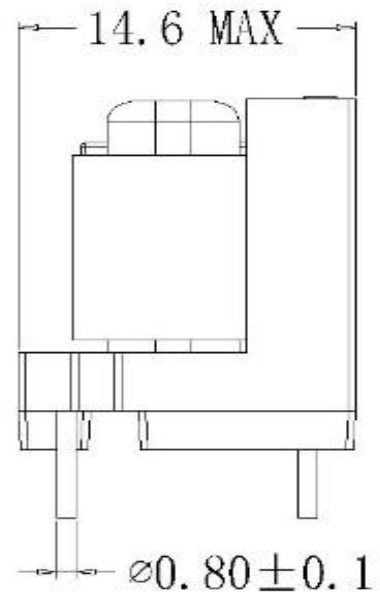
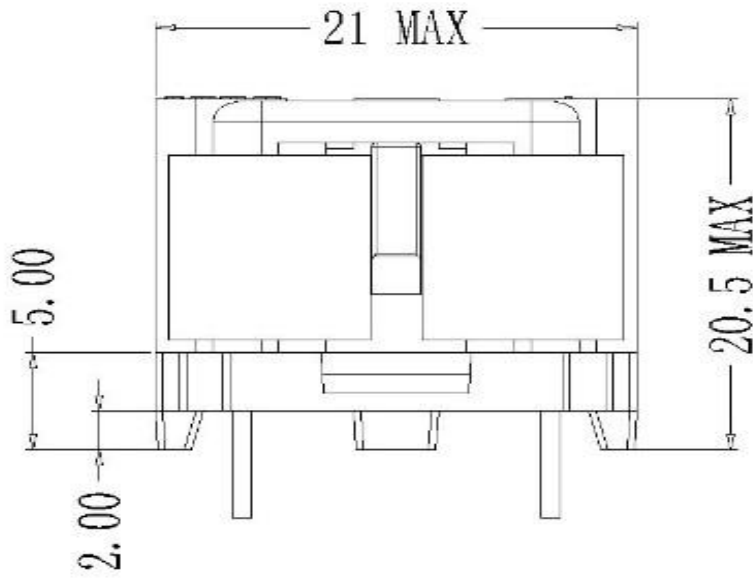
Horizontal type of CA1212 Series



# SMD Common Mode Chocke

◎Shape&Dimensions 形狀與尺寸:

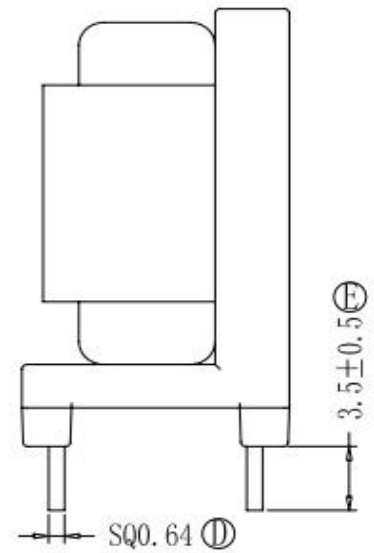
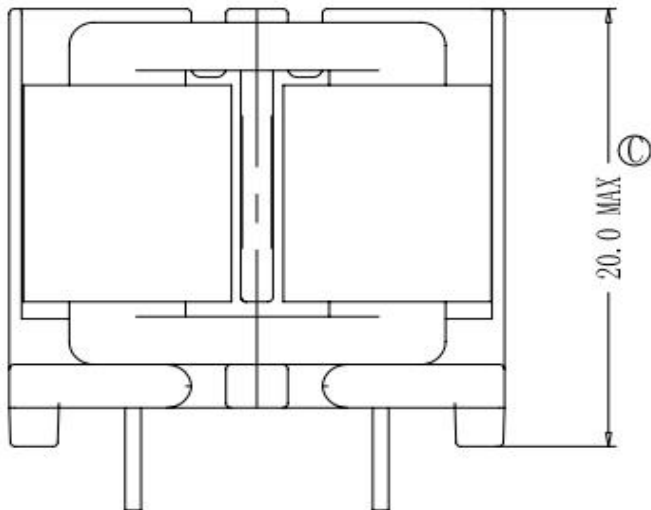
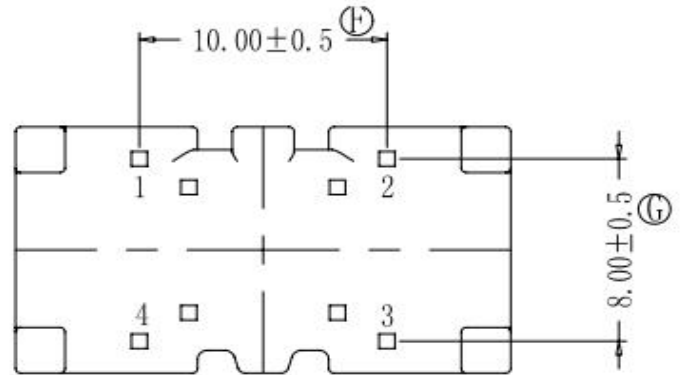
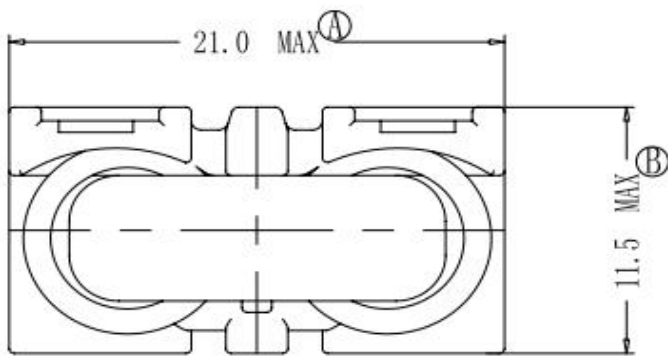
Vertical type of CA1515 Series



# SMD Common Mode Chocke

## ◎Shape&Dimensions 形狀與尺寸:

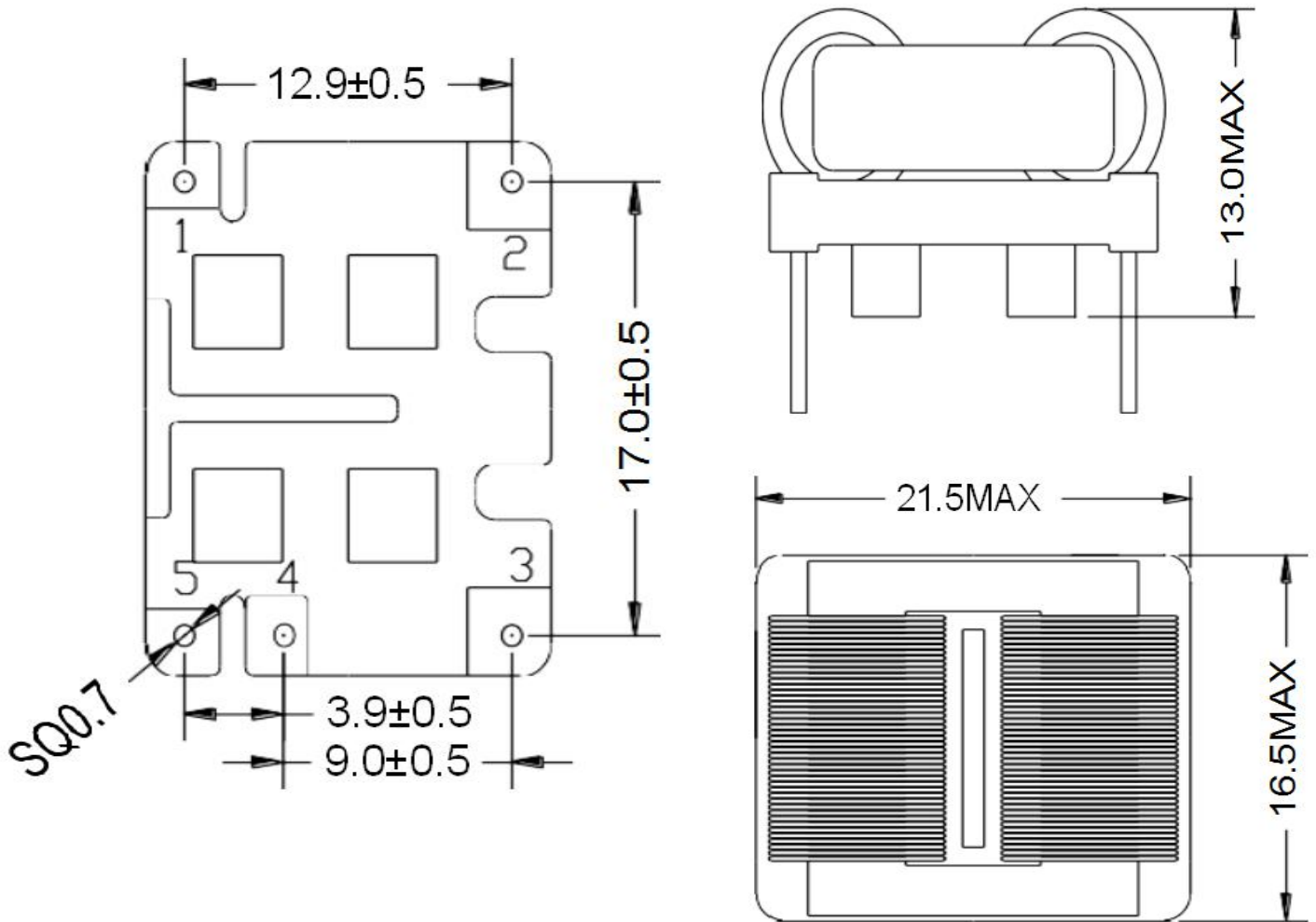
### Vertical type and Thin framework of CA1515 Series



# SMD Common Mode Chocke

◎Shape&Dimensions 形狀與尺寸:

## Horizontal type of CA1515 Series

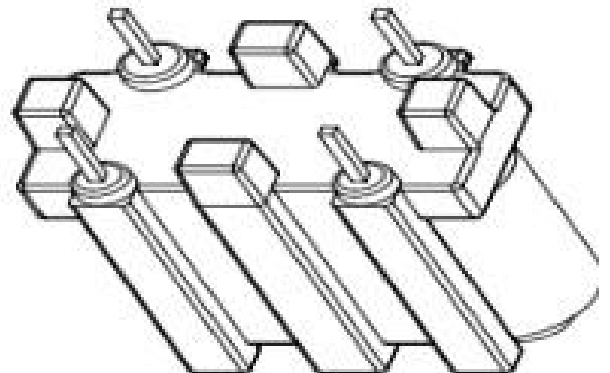
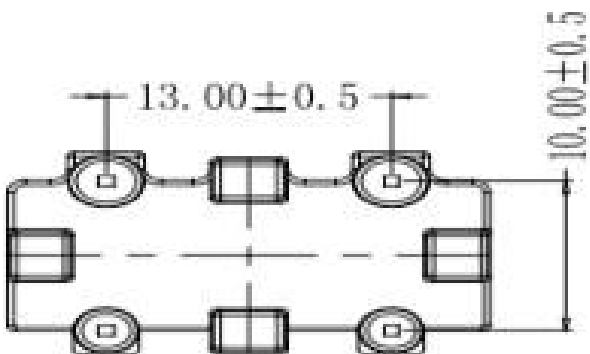
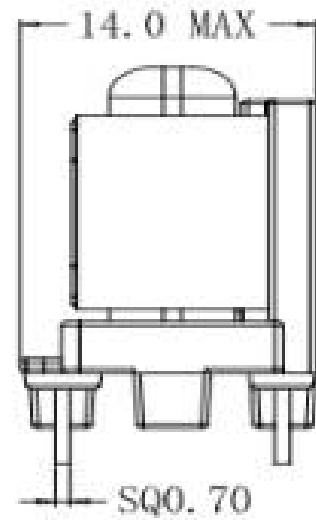
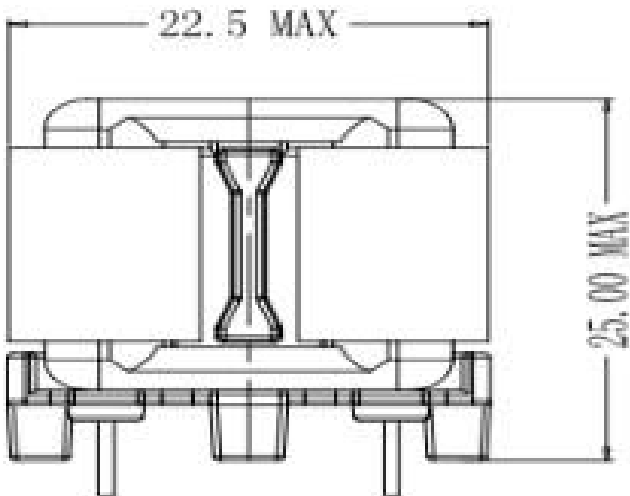
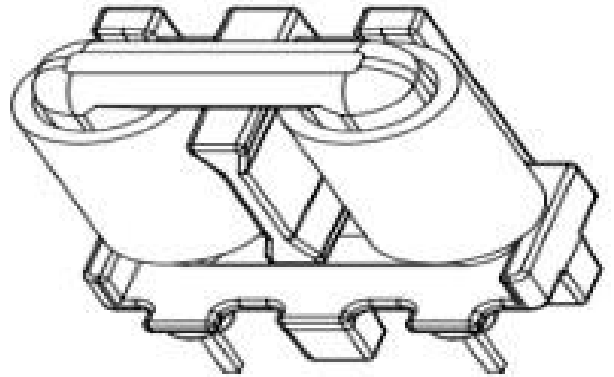
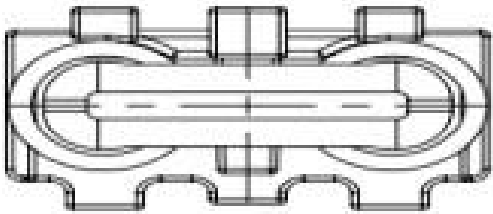




# SMD Common Mode Chocke

◎Shape&Dimensions 形狀與尺寸:

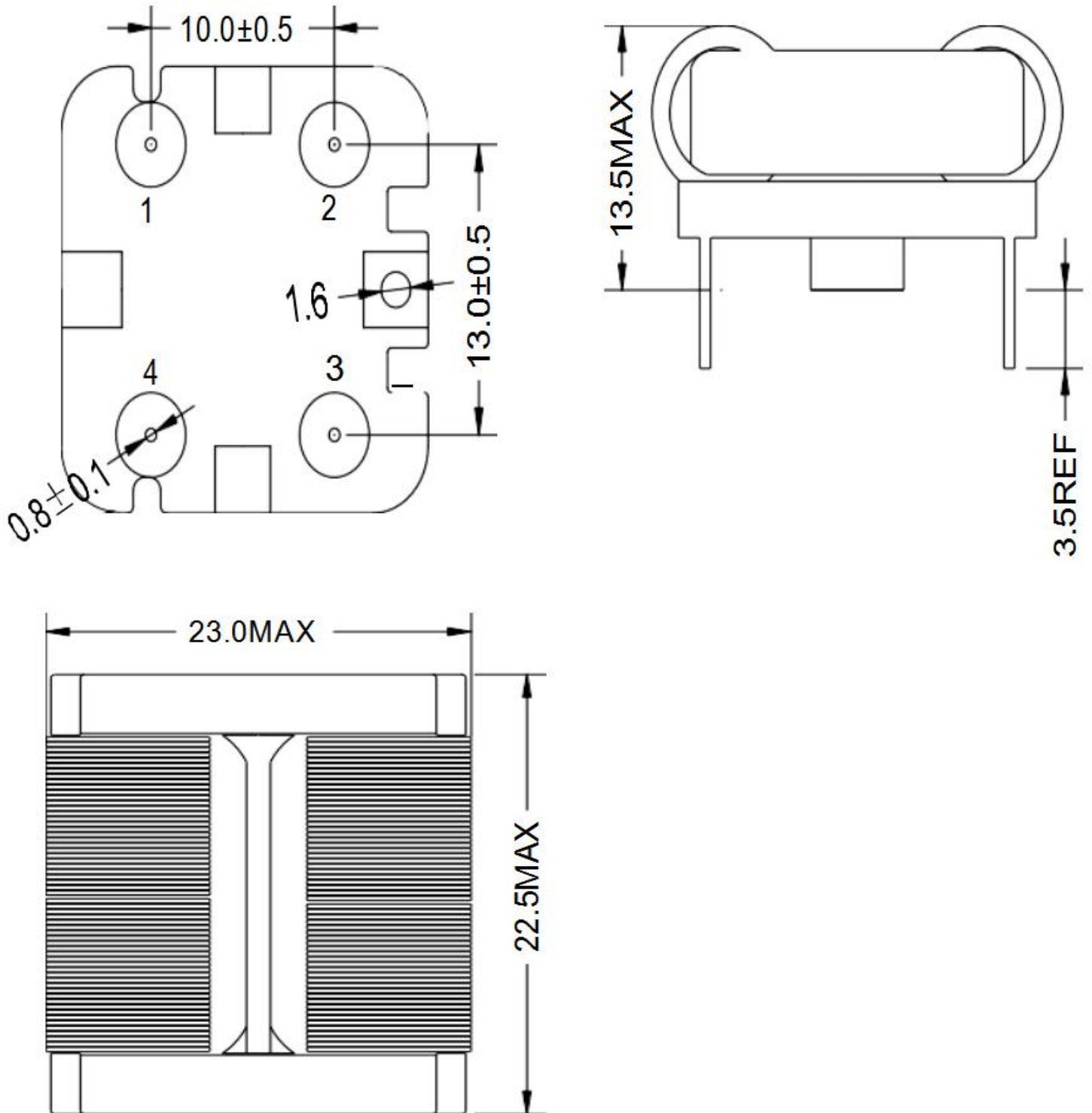
Vertical type of CA1918 Series



# SMD Common Mode Chocke

◎Shape&Dimensions 形狀與尺寸:

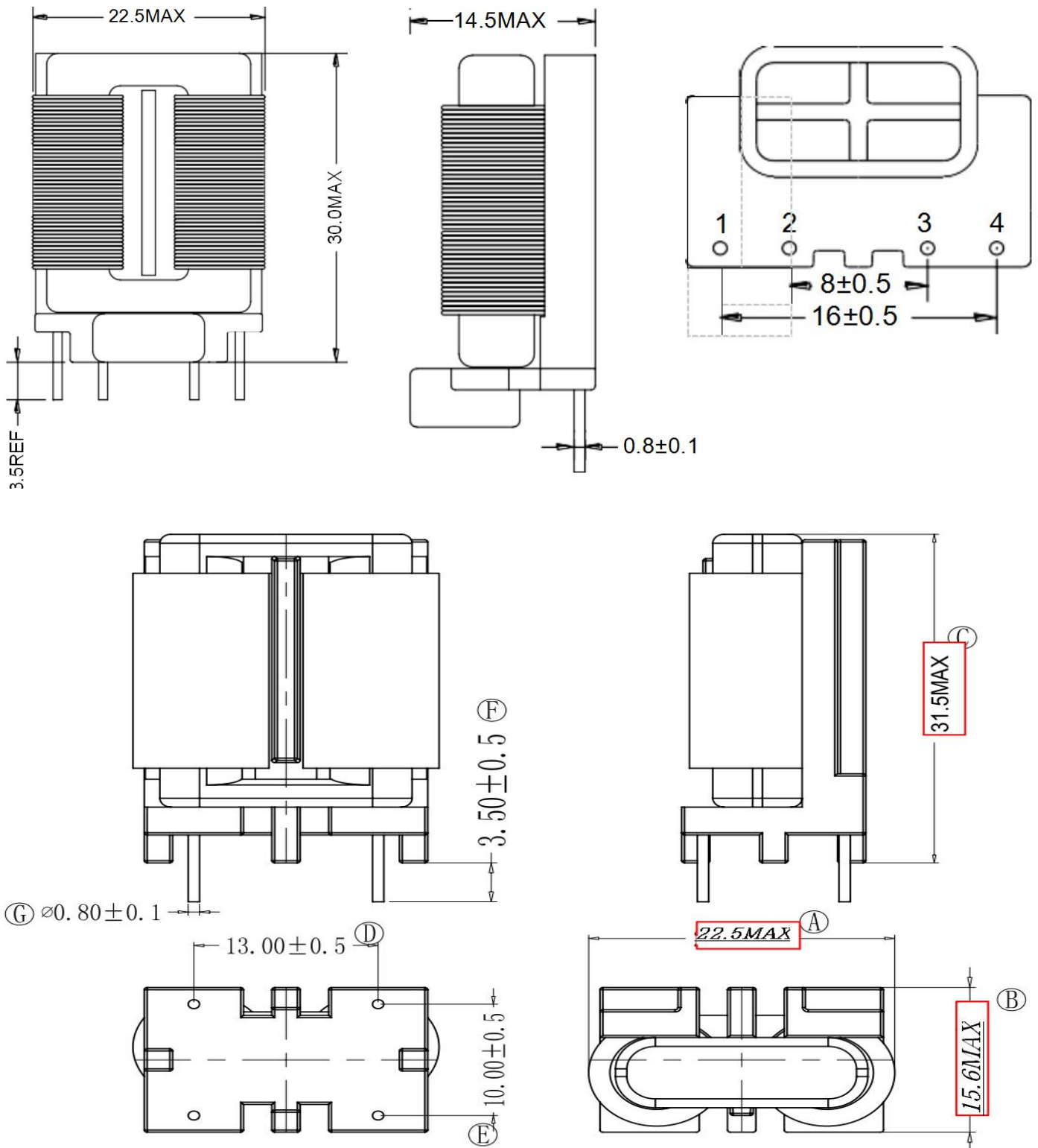
Horizontal type of CA1918 Series



# SMD Common Mode Chocke

## ◎Shape&Dimensions 形狀與尺寸:

### Vertical type of CA2418 Series



# SMD Common Mode Chocke

©Shape&Dimensions 形狀與尺寸:

Vertical type of CA2820 Series

