

Ferrite Core Clip-on Filter

Ferrite Core Clip-on Filter Product Catalog



寶仁弘電子有限公司 Prosperity Electronic Co., Limited
EML: brh@baorenhong.com Web: www.baorenhong.com
TEL: 0755-29687188 FAX: 0755-29688152
深圳市寶安區福永鎮立新二路天佑創客產業園
TEL: 0512-36878535 FAX: 0512-36878435
江蘇省昆山市花橋鎮綠地大道1325號

Ferrite Core Clip-on Filter

◎ Product introduction 產品介紹

- This product is a round cable topical products
圓形電纜的外用產品
- Various shapes and materials variety
各種形狀和材質品種豐富
- Ferrite and rubber shell integral mounting structure, which can be directly installed on the wire material.
鐵氧體與膠殼一體化的安裝結構，可直接安裝在線材上。
- On the common mode noise suppression effect is very good
對共模噪音的抑制具有很好的效果



◎ Product application 產品應用

- Imaging equipment Personal computer, a word processor, monitor, Game machine, copier, fax machine .
個人電腦、文字處理機、監視器、遊戲機、複印機、傳真機。

◎ Product Identification 產品標識

A2 RC 16*13*8 MB

A2-----Material code 材料代碼

RC-----Shape 產品形狀【BF=方型, RC=圓柱型, FC=扁型】

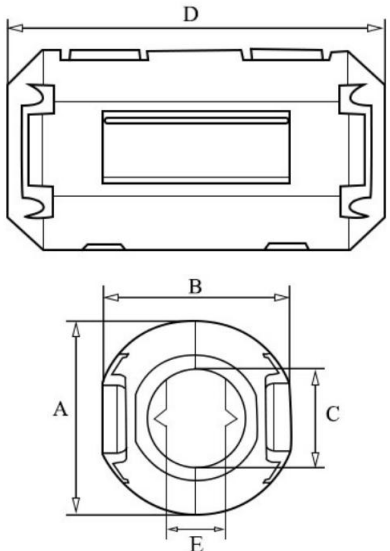
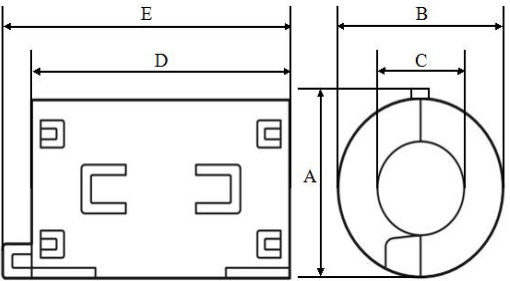
16*13*8-----Product size 產品尺寸

MB-----Black plastic shell 黑色塑膠外殼【MB=黑色, MG=灰色】

Ferrite Core Clip-on Filter

◎Shape&Dimensions 形狀與尺寸:

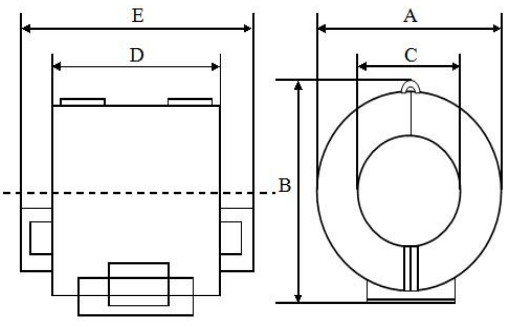
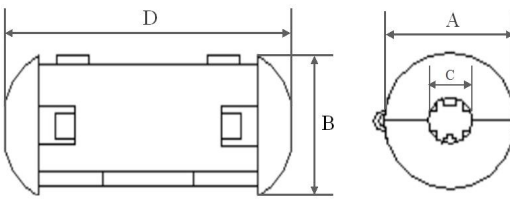
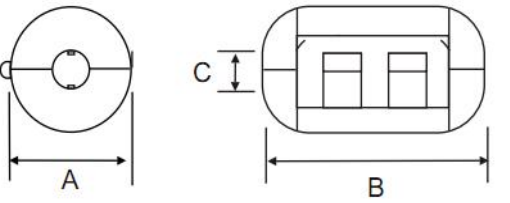
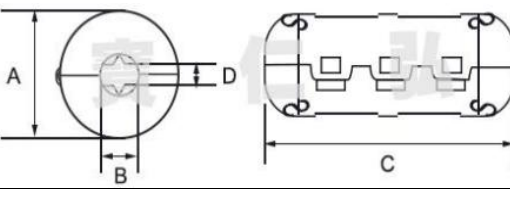
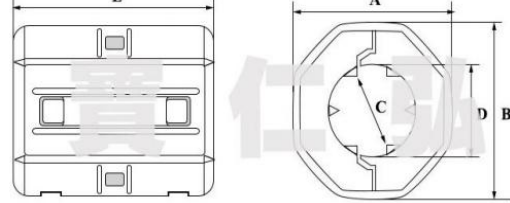
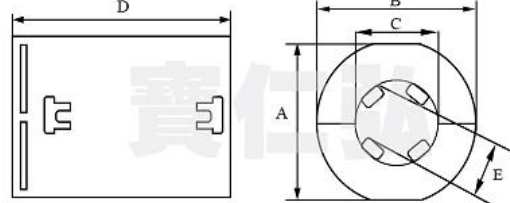
UNIT:mm

Shape	Ordering Core	A	B	C	D	E
	A2 RC 103B	13.0±1.00	11.8±1.00	3.5±0.80	25.2±1.00	2.5±1.00
	A2 RC 10*20*5-MB	13.0±1.00	11.8±1.00	5.0±0.80	25.2±1.00	2.7±1.00
	A2 RC 13*23*7-MB	16.5±1.00	14.0±1.00	7.0±0.80	30.00±1.00	2.80±1.00
	A2 RC 14*29*6.5-MB	17.8±1.00	16.8±1.00	8.3±0.80	36.6±1.00	3.0±1.00
	A2 RC 16*20*8-MB	20.0±1.00	18.0±1.00	8.0±0.80	25.5±1.00	4.5±0.50
	A2 RC 16*28*5-MB	19.5±1.00	18.0±1.00	5.00±0.80	35.00±1.00	5.7±1.00
	A2 RC 16*28*8-MB	19.5±1.05	18.0±1.05	8.00±1.05	35.00±1.05	5.7±1.00
	A2 RC 16*28*9-MB	19.5±1.00	18.0±1.00	9.00±0.80	35.00±1.00	5.7±1.00
	A2 RC 16*32*9-MB	19.5±2.5	18.0±2.5	9.00±0.80	39.5±2.5	6.5±1.5
	A2 RC 20*30*13-MB	23.50±1.00	22.20±1.00	13.50±0.80	36.00±1.00	10.8±1.00
	A2 RC 12*15*7-MB	15.5±1.0	14.0±1.0	7.0±0.8	18.0±1.0	22.0±1.0
	A2 RC 169MB	20.0±1.00	20.0±1.00	9.0±0.80	31.5±1.00	35.5±1.00
	A2 RC 17*28*11-MB	20.5±1.0	20.5±1.0	11.0±1.0	32.0±1.0	36.0±1.0
	A2 RC 26*30*13-MB	31.00±1.0	30.75±1.0	13.00±0.8	34.00±1.0	39.00±1.0
	A2 RC 28*28.5*16-MB	33.0±1.5	33.0±1.5	16.0±1.0	34.0±1.5	41.0±1.0
	A2 RC 35*30*25-MB	40.5±2.0	40.5±2.0	25.0±2.0	36±2.0	43.5±2.0

Ferrite Core Clip-on Filter

◎Shape&Dimensions 形狀與尺寸:

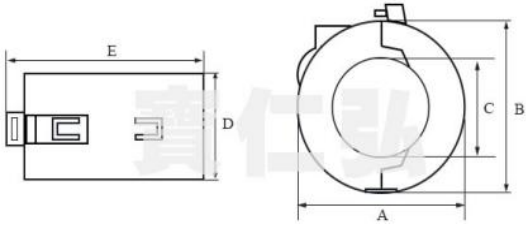
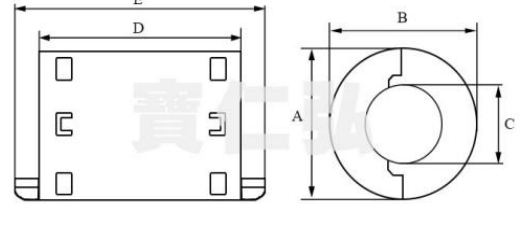
UNIT:mm

Shape	Ordering Core	A	B	C	D	E
	A2 RC 16*13*8-MB	19.5±1.0	23.0±1.0	8.00±0.8	17.0±1.0	23.0±1.0
	A2 RC 16*16*8-MB	19.50±1.0	23.00±1.0	8.00±0.8	19.50±1.0	26.00±1.0
	A2 RC 20*10*10-MB	24.50±1.0	28.50±1.0	10.2±1.0	13.5±1.0	20.0±0.5
	A2 RC 24*14*11.5-MB	28.00±1.0	32.5±1.0	12.00±1.0	17.80±1.0	24.00±1.0
	A2 RC 25*12*15-MB	28.5±1.0	33.5±1.0	14.5±1.0	15.5±1.0	21.5±1.0
	A2 RC 105B	16.5±1.00	16.5±1.00	5.0±0.80	29.5±1.00	
	A2 RC 14*28.5*7-MB	20.0±1.0	39.00±1.0	8.5±1.0		
	A2 RC 150 MB	20.0±1.00	7.0±1.00	53.0±2.2	5.5±1.00	
	A2 RC 28*35*14-MB	30.5±1.5	31.5±1.5	11.5±1.0	13.5±1.00	41.0±2.0
	A2 RC 36*32*9-MB	40.0±2.5	39.5±2.5	19.5±2.0	41.0±2.5	14.5±2.0

Ferrite Core Clip-on Filter

◎Shape&Dimensions 形狀與尺寸:

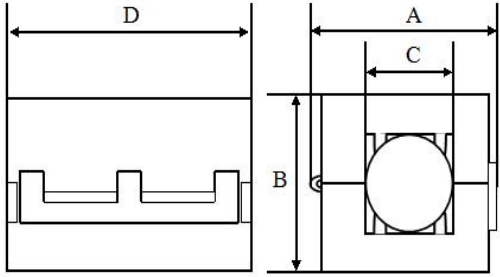
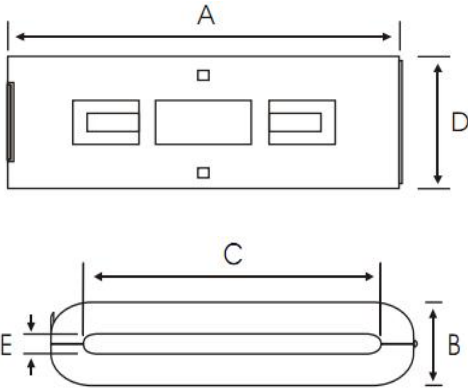
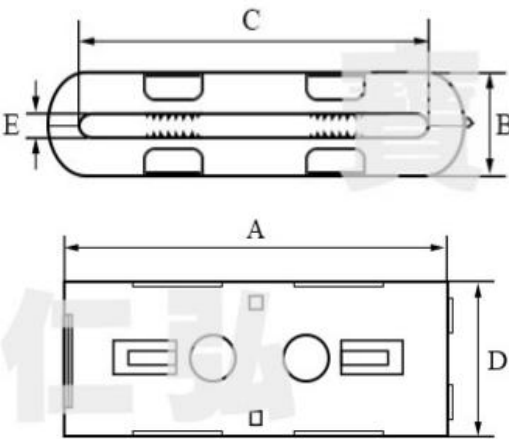
UNIT:mm

Shape	Ordering Core	A	B	C	D	E
	A2 RC 37*14*22-MDG- N120	41.5±2.0	41.0±2.0	23.0±2.0	16.5±1.5	45.0±2.0
	A2 RC 51*44*30-MB	55.0±2.2	55.0±2.2	30.5±2.0	51.0±2.2	65.0±2.2

Ferrite Core Clip-on Filter

◎Shape&Dimensions 形狀與尺寸:

UNIT:mm

Shape	Ordering Core	A	B	C	D	E
	BF-50-B	15.00±1.0	14.00±1.0	6.00±1.0	23.00±1.0	
	BF-65-B	20.50±1.0	20.00±1.0	7.50±1.0	33.00±1.0	
	BF-80-B	20.50±1.0	20.00±1.0	7.50±1.0	33.00±1.0	
	BF-100-B	25.50±1.0	23.50±1.0	11.50±1.0	32.50±1.0	
	BF-130-B	31.50±1.0	31.00±1.0	14.00±1.0	32.50±1.0	
	BF-190-B	29.0±1.0	29.50±1.0	19.50±1.0	42.00±1.0	
	A2 FC 26*9*20.6*17.5- 2.6	31±1.5	13.0±1.2	18.0±2.0	21.0±1.5	2.6±1.0
	A2 FC 33.5*6.8*28*12- 1.8	36.0±1.0	9.4±0.8	28.0±1.0	14.8±1.0	2.0±0.4
	A2 FC 51.5*10*44*15- 1.6	55.0±2.5	13.5±2.0	43.5±2.0	18.5±1.5	2.1±0.8

Ferrite Core Clip-on Filter

◎Shape&Dimensions 形狀與尺寸:

Shape	Ordering Core	at 25 MHz	at 100 MHz
	A2 RC 103B	$\geq 85\Omega$	$\geq 175\Omega$
	A2 RC 10*20*5-MB	$\geq 50\Omega$	$\geq 110\Omega$
	A2 RC 13*23*7-MB	$\geq 55\Omega$	$\geq 100\Omega$
	A2 RC 14*29*6.5-MB	$\geq 80\Omega$	$\geq 160\Omega$
	A2 RC 16*20*8-MB	$\geq 50\Omega$	$\geq 90\Omega$
	A2 RC 16*28*5-MB	$\geq 138\Omega$	$\geq 242\Omega$
	A2 RC 16*28*8-MB	$\geq 80\Omega$	$\geq 125\Omega$
	A2 RC 16*28*9-MB	$\geq 55\Omega$	$\geq 100\Omega$
	A2 RC 16*32*9-MB	$\geq 70\Omega$	$\geq 120\Omega$
	A2 RC 20*30*13-MB	$\geq 55\Omega$	$\geq 90\Omega$
	A2 RC 12*15*7-MB	$\geq 35\Omega$	$\geq 90\Omega$
	A2 RC 169MB	$\geq 65\Omega$	$\geq 120\Omega$
	A2 RC 17*28*11-MB	$\geq 50\Omega$	$\geq 100\Omega$
	A2 RC 26*30*13-MB	$\geq 80\Omega$	$\geq 150\Omega$
	A2 RC 28*28.5*16-MB	$\geq 75\Omega$	$\geq 110\Omega$
	A2 RC 35*30*25-MB	$\geq 50\Omega$	$\geq 115\Omega$

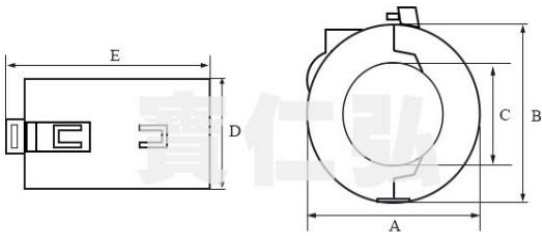
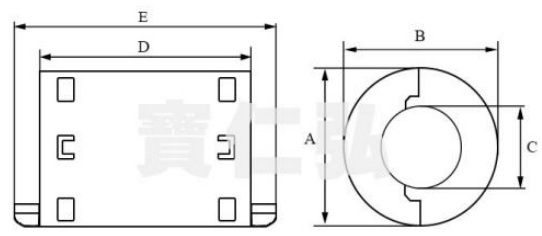
Ferrite Core Clip-on Filter

◎Shape&Dimensions 形狀與尺寸:

Shape	Ordering Core	at 25 MHz	at 100 MHz
	A2 RC 16*13*8-MB	$\geq 35\Omega$	$\geq 80\Omega$
	A2 RC 16*16*8-MB	$\geq 50\Omega$	$\geq 100\Omega$
	A2 RC 20*10*10-MB	$\geq 30\Omega$	$\geq 70\Omega$
	A2 RC 24*14*11.5-MB	$\geq 45\Omega$	$\geq 95\Omega$
	A2 RC 25*12*15-MB	$\geq 30\Omega$	$\geq 85\Omega$
	A2 RC 105B	$\geq 55\Omega$	$\geq 105\Omega$
	A2 RC 14*28.5*7-MB	$\geq 70\Omega$	$\geq 150\Omega$
	A2 RC 150 MB	$\geq 135\Omega$	$\geq 360\Omega$
	A2 RC 28*35*14-MB	$\geq 100\Omega$	$\geq 160\Omega$
	A2 RC 36*32*9-MB	$\geq 85\Omega$	$\geq 160\Omega$

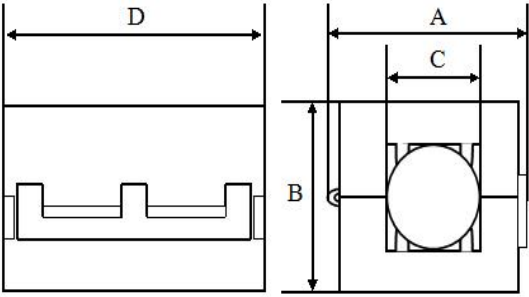
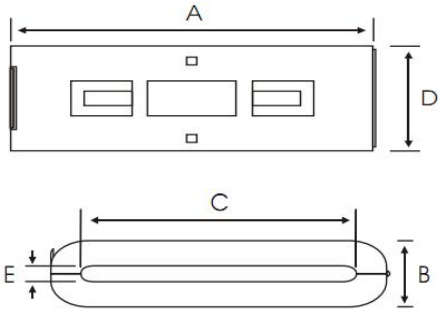
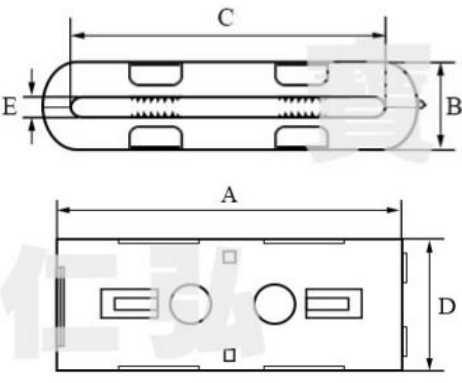
Ferrite Core Clip-on Filter

◎Shape&Dimensions 形狀與尺寸：

Shape	Ordering Core	at 25 MHz	at 100 MHz
	A2 RC 37*14*22-MDG-N120	$\geq 35\Omega$	$\geq 70\Omega$
	A2 RC 51*44*30-MB	$\geq 110\Omega$	$\geq 175\Omega$

Ferrite Core Clip-on Filter

◎Shape&Dimensions 形狀與尺寸：

Shape	Ordering Core	at 25 MHz	at 100 MHz
	BF-50-B	$\geq 60\Omega$	$\geq 130\Omega$
	BF-65-B	$\geq 75\Omega$	$\geq 200\Omega$
	BF-80-B	$\geq 115\Omega$	$\geq 230\Omega$
	BF-100-B	$\geq 65\Omega$	$\geq 160\Omega$
	BF-130-B	$\geq 90\Omega$	$\geq 170\Omega$
	BF-190-B	$\geq 55\Omega$	$\geq 115\Omega$
	A2 FC 26*9*20.6*17.5-2.6	$\geq 35\Omega$	$\geq 75\Omega$
	A2 FC 33.5*6.8*28*12-1.8	$\geq 20\Omega$	$\geq 55\Omega$
	A2 FC 51.5*10*44*15-1.6	$\geq 30\Omega$	$\geq 80\Omega$

TEST WIRE : 0.5T.C.W*120mm or OTHER 1/2Ts, 以上数据仅供参考, 具体以产品规格书为准。